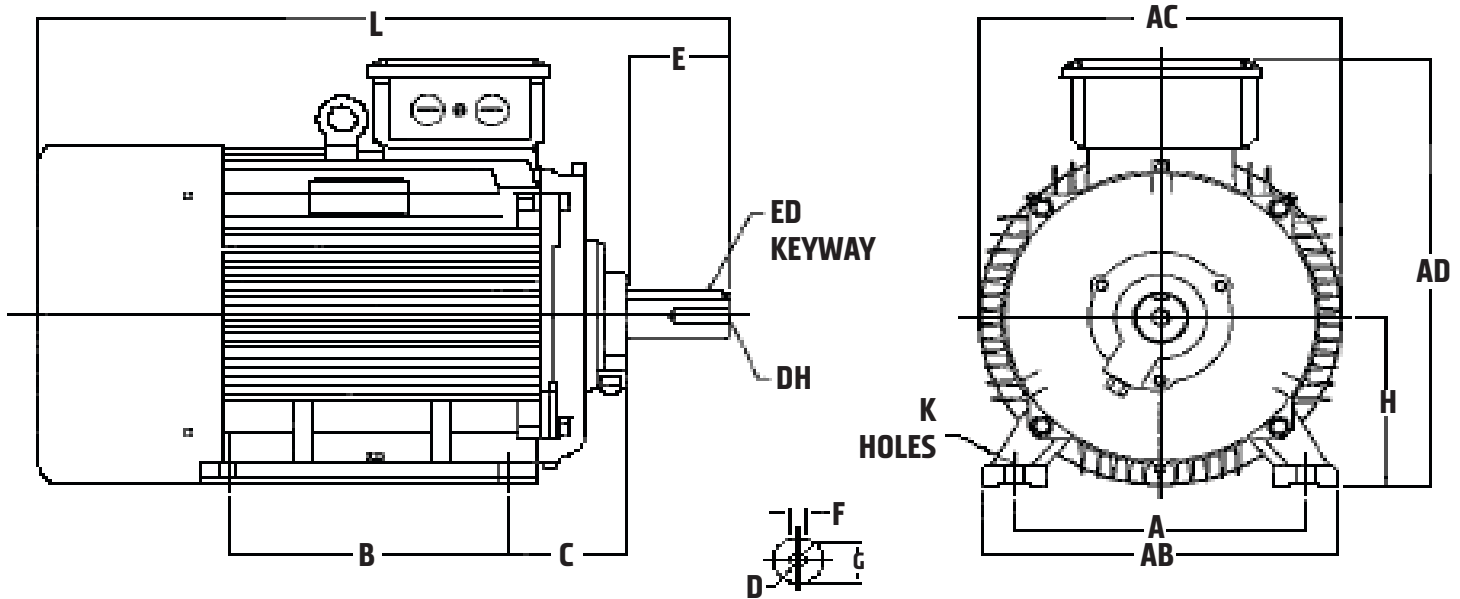


**B3 FOOT-MOUNTED**

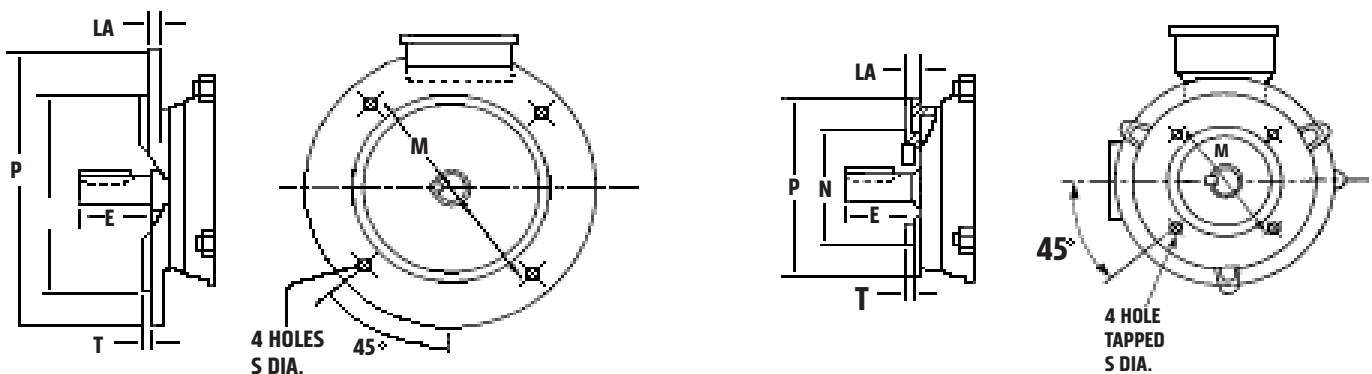


**IEC FRAME DIMENSIONS (Millimeters)**

FRAME	MOUNTING							SHAFT					GENERAL			FF FLANGE					FT FACE							
	A	B	C	H	AB	K	D	E	F	G	ED	DH	AC	AD	HD	M	N	P	S	T	LA	M	N	P	S	T	LA	
D63	100	80	40	63	119	7	11	23	4	8.5	10	M4x10	126	-	169	115	95	140	10	3.0	7	75	60	90	M5	2.5	7	
D71	112	90	45	71	131	7	14	30	5	11.0	20	M5x12.5	140	-	186	130	110	160	10	3.5	7	85	70	105	M6	2.5	9	
D80	125	100	50	80	157	10	19	40	6	15.5	25	M6x16	158	132	212	165	130	200	12	3.5	12	100	80	120	M6	3.0	9	
D90S	140	100	56	90	174	10	24	50	8	20.0	32	M8x19	178	140	230	165	130	200	12	3.5	12	115	95	140	M8	3.0	9	
D90L	140	125	56	90	174	10	24	50	8	20.0	32	M8x19	178	140	230	165	130	200	12	3.5	12	115	95	140	M8	3.0	9	
DF100L	160	140	63	100	205	12	28	60	8	24.0	40	M10x22	215	178	278	215	180	250	15	4.0	11	130	110	160	M8	3.5	14	
DF112M	190	140	70	112	245	12	28	60	8	24.0	40	M10x22	220	190	302	215	180	250	15	4.0	12	130	110	160	M8	3.5	11	
DF132S	216	140	89	132	280	12	38	80	10	33.0	56	M12x28	275	210	342	265	230	300	15	4.0	12	165	130	200	M10	3.5	14	
DF132M	216	178	89	132	280	12	38	80	10	33.0	56	M12x28	275	210	342	265	230	300	15	4.0	12	165	130	200	M10	3.5	14	
DF160M	254	210	108	160	325	15	42	110	12	37.0	80	M16x36	325	254	414	300	250	350	19	5.0	13	215	180	250	M12	4.0	13	
DF160L	254	254	108	160	325	15	42	110	12	37.0	80	M16x36	325	254	414	300	250	350	19	5.0	13	215	180	250	M12	4.0	13	
DF180M	279	241	121	180	335	15	48	110	14	42.5	80	M16x36	360	310	490	300	250	350	19	5.0	15							
DF180L	279	279	121	180	335	15	48	110	14	42.5	80	M16x36	360	310	490	300	250	350	19	5.0	15							
DF200L	318	305	133	200	395	19	55	110	16	49.0	100	M20x42	400	340	540	350	300	400	19	5.0	19.5							
DF225S	356	286	149	225	435	19	55*/60	110*/140	16*/18	49*/53	100*/125	M20x42	445	414	639	400	350	450	19	5.0	21.0							
DF225M	356	311	149	225	435	19	55*/60	110*/140	16*/18	49*/53	100*/125	M20x42	445	414	639	400	350	450	19	5.0	21.0							
DF250M	406	349	168	250	490	24	60*/65	140*/180	18*/18	53*/58	125*/125	M20x42	500	440	690	400	350	450	19	5.0	21.0							

**NOT  
DEFINED  
BY  
IEC 72**

**2 POLE DIMENSIONS**



**FF FLANGE B5 MOUNT, "D FLANGE"**

**FT FACE B14 MOUNT, "C FLANGE"**